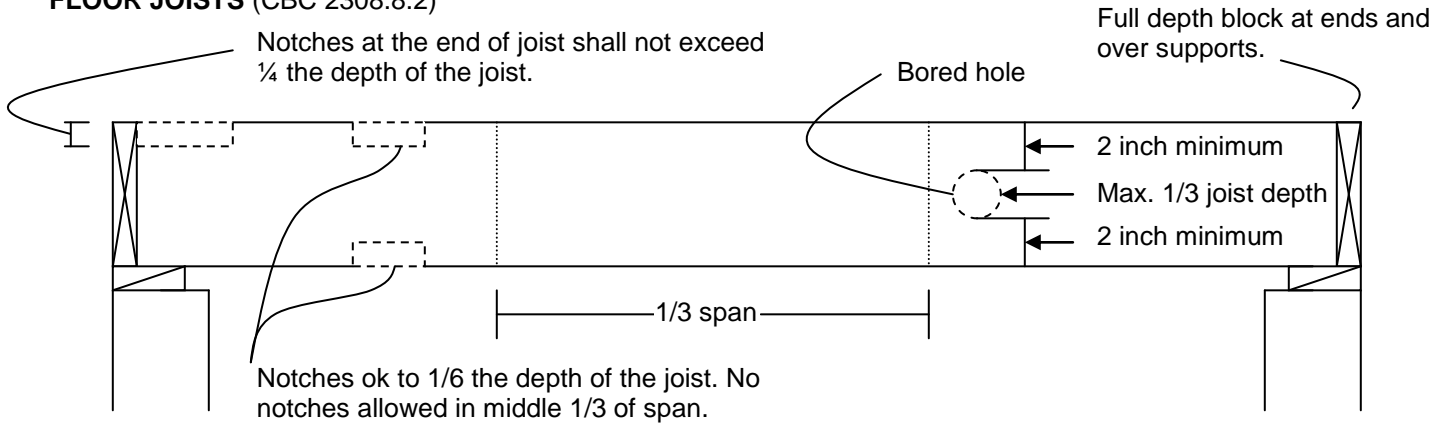




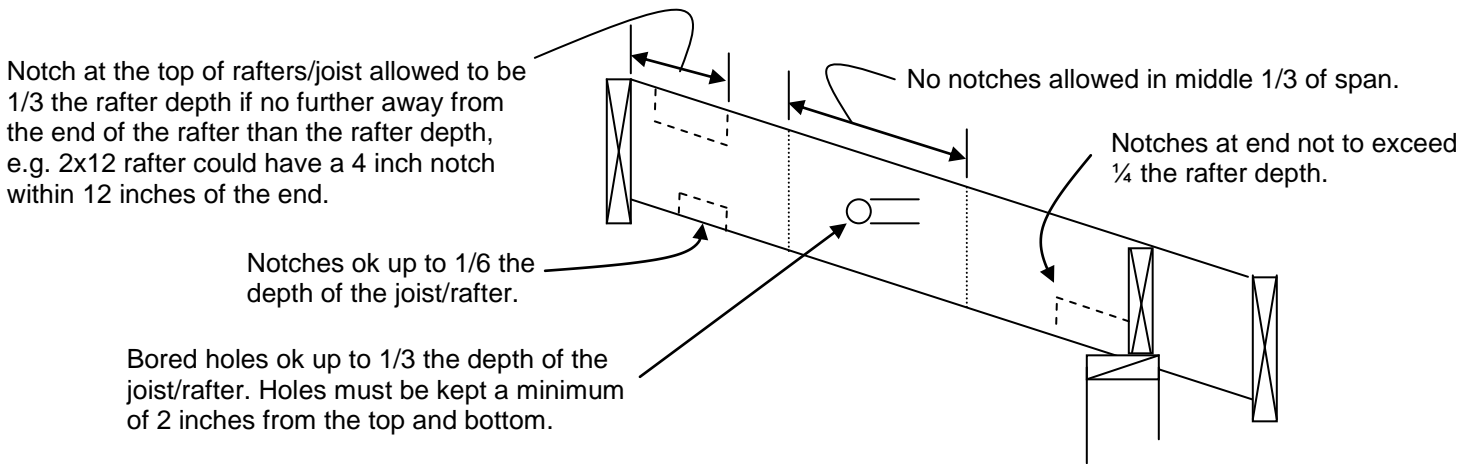
City of El Cajon
Building and Fire Safety Division
 200 Civic Center Way
 El Cajon, CA 92020
 Phone: (619) 441-1726

CUTTING AND NOTCHING OF JOISTS, RAFTERS, AND STUDS

FLOOR JOISTS (CBC 2308.8.2)



RAFTERS AND CEILING JOISTS (CBC 2308.10.4.2)



STUDS (CBC 2308.9.10, 2308.9.11)

Exterior & Bearing Studs

Non-bearing Studs

Bored hole ok up to 40% of stud width. Hole may be max. 60% if doubled (No more than 2 successive studs can be doubled and bored to 60%).

Notching of stud ok up to 25% of stud width.

Bored holes must be a min. of $\frac{5}{8}$ inch away from the edge of the stud.

Bored holes cannot be located in the same section as a cut or notch.

Bored hole ok up to 60% of stud width.

Notching of stud ok up to 40% of stud width.